

# WACHENDORFF

The Encoder Experts



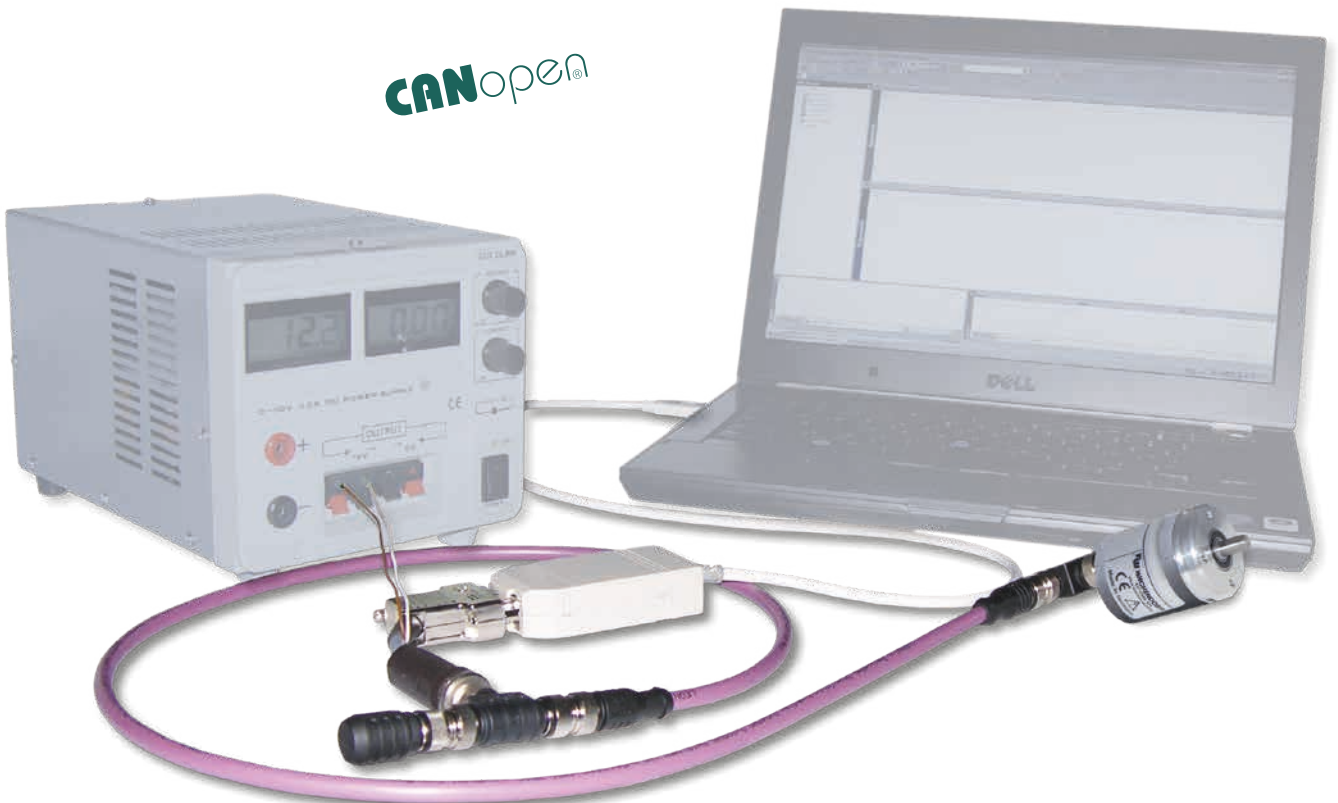
## Starterkit CANopen with absolute encoder WDGA 36A



[wachendorff-automation.com](http://wachendorff-automation.com)

EnDra<sup>®</sup>: maintenance-free and environmentally friendly  
CANopen, Singleturn (12 Bit), Multiturn (18 Bit)  
Communication Profile according to CiA DS-301  
Device Profile for encoder CiA DS-406 V3.2 class C2  
Forward-looking technology with 32 Bit processor

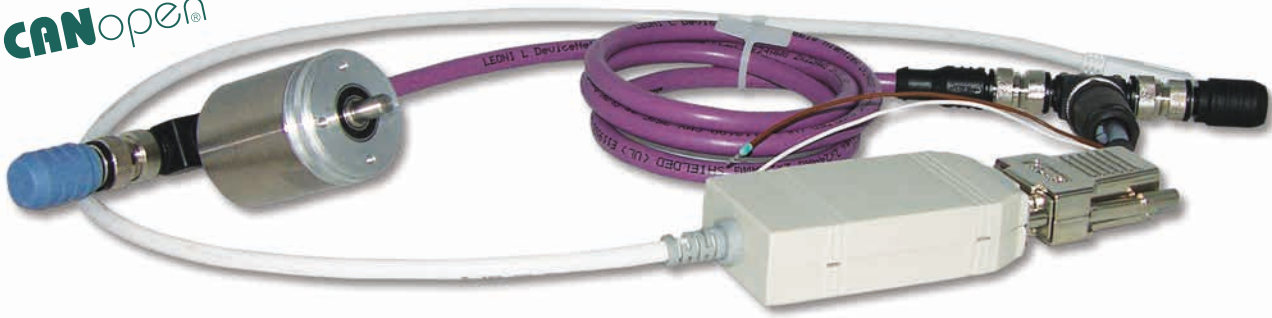
CANopen<sup>®</sup>



**Industrie ROBUST**

# Starterkit with absolute encoder WDGA36A CANopen

CANopen®



## The starterkit includes:



1x encoder WDGA36A  
[www.wachendorff-automation.com/wdga36acan](http://www.wachendorff-automation.com/wdga36acan)



1x stub / bus cable with 1 m cable,  
[www.wachendorff-automation.com/cvk567](http://www.wachendorff-automation.com/cvk567)



2x 2-port junction systems, T-junction,  
[www.wachendorff-automation.com/CTA216701](http://www.wachendorff-automation.com/CTA216701)



1x PEAK CAN-USB-Analyzer  
 with connection adapter  
[www.wachendorff-automation.com/canusbanalyzer](http://www.wachendorff-automation.com/canusbanalyzer)

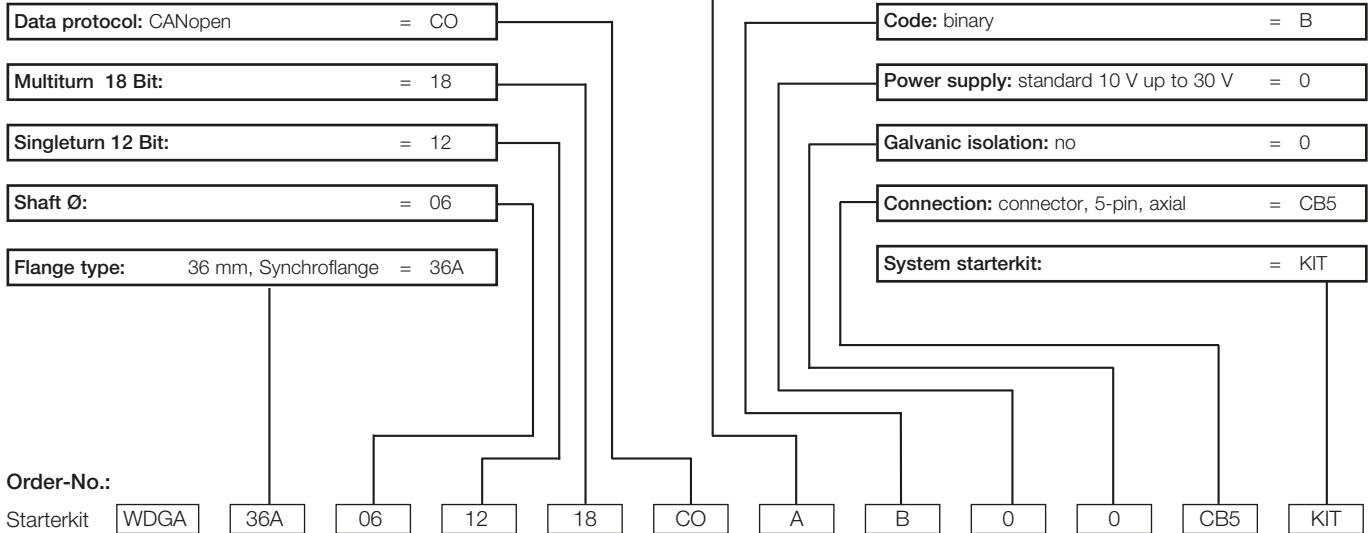


1x termination resistor 120 Ohm, connector  
[www.wachendorff-automation.com/CEW12067S](http://www.wachendorff-automation.com/CEW12067S)



1x termination resistor 120 Ohm, female connector  
[www.wachendorff-automation.com/CEW12067B](http://www.wachendorff-automation.com/CEW12067B)

## Ordering information:



**Any Questions?** Just call us at +49 (0) 67 22 / 99 65 414, send us an E-Mail to [support-wa@wachendorff.de](mailto:support-wa@wachendorff.de) or call your local distributor: [www.wachendorff-automation.com/distri](http://www.wachendorff-automation.com/distri)

**WACHENDORFF**  
 The Encoder Experts

Wachendorff Automation GmbH & Co. KG  
 Industriestrasse 7 • D-65366 Geisenheim

Tel.: +49 (0) 67 22 / 99 65 - 25  
 E-Mail: [wdg@wachendorff.de](mailto:wdg@wachendorff.de)  
[www.wachendorff-automation.com](http://www.wachendorff-automation.com)



2024

Your distributor: